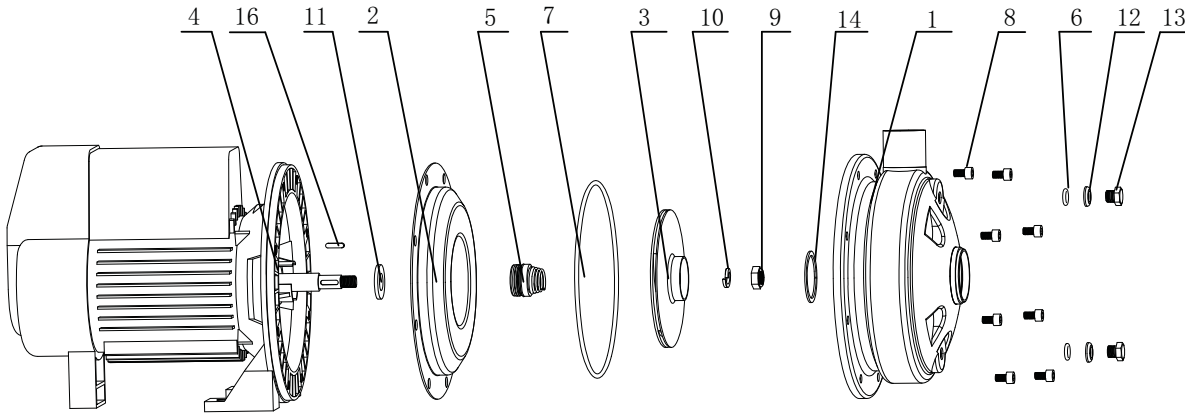


# HOME WATER PRESURE SYSTEMS

Stainless Steel Booster System with Torrium  
Stainless Steel Booster System with Flow Switch

BT14-30  
BF14-30



ITEM	NOTES	DESCRIPTION	QTY	PART NO.	LIST PRICE (USD)	UNIT
1		Casing	1	WB0102501	95.95	ea
2		Back cover	1	WB0202500	21.95	ea
3		Impeller	1	WB0305600	25.95	ea
4		Motor - 0.75kW USA	1	1SW057C12	182.95	ea
5		Mechanical seal	1	TF315MBP	19.95	ea
6		Drain plug washer	1	WBLW010100	0.95	ea
7		Casing oring	1	WBOR100100	2.95	ea
8		Screw - casing pkt 8	1	WBSC020100*8	4.95	ea
9		Impeller nut	1	WBIN030100	3.95	ea
10		Washer - impeller	1	WBSW030100	4.95	ea
11		Slinger	1	WBS020100	2.95	ea
12		Drain plug oring	1	WBOR020100	0.95	ea
13		Drain plug	1	WBFDP010100	3.95	ea
14		Wear ring	1	WBDWRO40100	2.95	ea
16		Key	1	WBKE010100	2.95	ea

#### ITEMS NOT ILLUSTRATED

		Capacitor cover	1	8SW354060-061	13.95	ea
		Capacitor cover screws M4x60	4	401320	0.95	ea
		Capacitor 60Hz	1	400297	36.95	ea
		Drive endshield	1	8SW013006	19.95	ea
		Fan cowl	1	8SW306048	13.95	ea
		Bearing - Drive end	1	401311	10.95	ea
		Bearing - Non-drive end	1	401312	11.95	ea
		Fan	1	8SW435041	13.95	ea
		Rotor assembly	1	5SW674991	51.95	ea
		Stator & shell assy	1	5SW670D51	88.95	ea
		Coupling assembly Torrium model only	1	32320-1SP	13.75	ea
		Torium controller - 110V	1	T70Y/USA	209.95	ea
		Flow switch	1	32381	190.95	ea

U.S. SERVICE CENTER RETAIL PRICE LIST Effective April 1st, 2009. All prices subject to change without notice. Drawings are indicative only, product appearance may change slightly. Some parts are not stocked individually and may be available only as part of a service kit or are special order items with extended lead times. To order call Toll Free 866-626-7867 or email: sales@primopumps.com

# HOME WATER PRESURE SYSTEMS

Stainless Steel Booster System with Torrium

Stainless Steel Booster System with Flow Switch

BT14-45

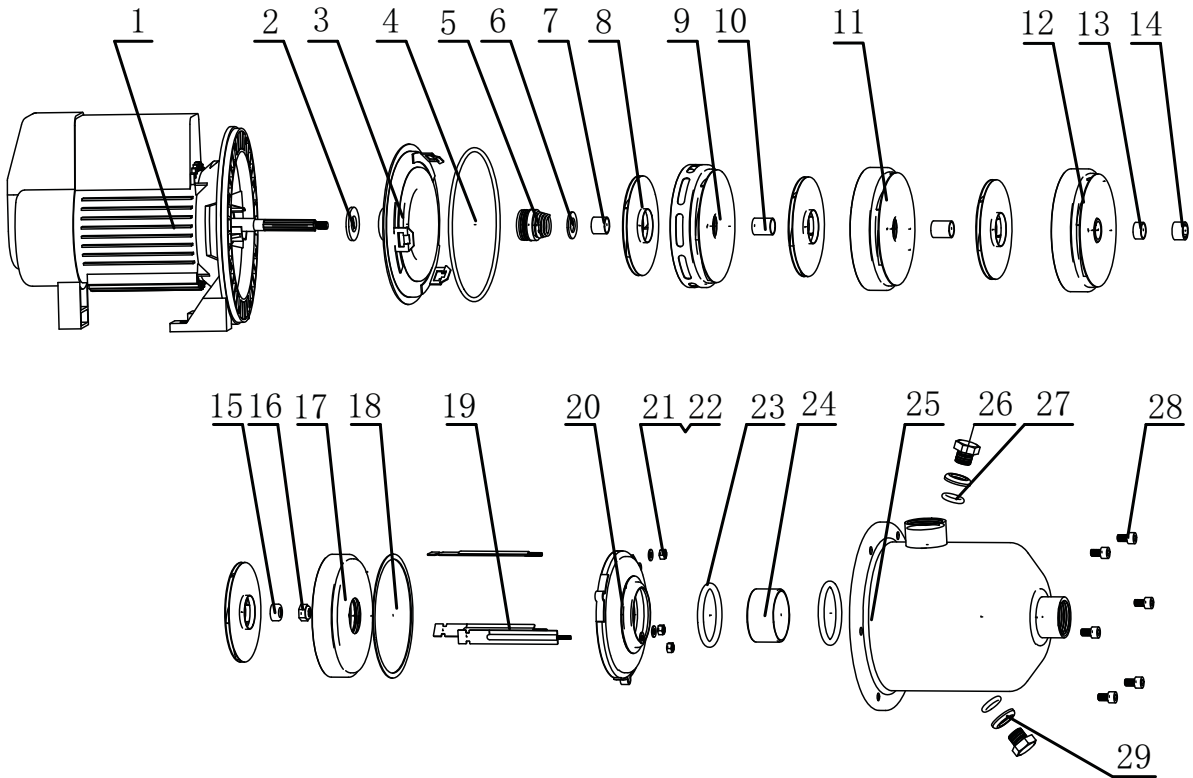
BT20-30

BT20-40

BF14-45

BF20-30

BF20-40



U.S. SERVICE CENTER RETAIL PRICE LIST Effective April 1st, 2009. All prices subject to change without notice. Drawings are indicative only, product appearance may change slightly. Some parts are not stocked individually and may be available only as part of a service kit or are special order items with extended lead times. To order call Toll Free 866-626-7867 or email: [sales@primopumps.com](mailto:sales@primopumps.com)

# HOME WATER PRESURE SYSTEMS

Stainless Steel Booster System with Torrium  
Stainless Steel Booster System with Flow Switch

BT14-30  
BF14-30

ITEM	NOTES	DESCRIPTION	QTY	PART NO.	LIST PRICE (USD)	UNIT
1		Motor - 0.75kW 110V/60hz B14-45 only	1	1SW057B07	193.95	ea
1		Motor - 0.75kW B20-30	1	1SW057C13	202.95	ea
1		Motor - 0.90kW 220-240V/60hz B20-40 only	1	1SW057B23	223.95	ea
2		Slinger	1	WBS020100	2.95	ea
3		Back cover	1	DW0201500	19.95	ea
4		Casing oring	1	DWOR080100	2.95	ea
5		Mechanical seal B20-30 & B14-45 only	1	TF315MBPL	26.95	ea
5		Mechanical seal B20-40 only	1	TF315BPL	26.95	ea
6		Mechanical seal plate	1	DWPW030100	2.95	ea
7		Shaft sleeve IV B20-30 only	1	DWSS080200	2.95	ea
7		Shaft sleeve IV B20-40 & B14-45 only	1	DWSS040200	4.95	ea
8		Impeller B20-30 only	3	DW0302501	22.95	ea
8		Impeller B20-40 x4 , B14-45 x3	3	DW0301501	22.95	ea
8		Impeller B20-40 x4 , B14-45 x3	4	DW0301501	22.95	ea
9		Diffuser III B20-30 only	1	DWEJE080100	19.95	ea
9		Diffuser III B20-40 & B14-45 only	1	DWEJE030100	19.95	ea
10		Shaft sleeve III B20-30 only	1	DWSS070200	2.95	ea
10		Shaft sleeve III B20-40 & B14-45	1	DWSS030200	2.95	ea
11		Diffuser IV B20-40 models only	1	DWEJE040100	23.95	ea
12		Diffuser II B20-30 only	1	DWEJE060100	23.95	ea
12		Diffuser II B20-40 & B14-45	1	DWEJE020100	25.95	ea
13		Shaft sleeve II	1	DWSS020200	2.95	ea
14		Shaft sleeve plain	1	DWPBS010100	2.95	ea
15		Shaft sleeve I	1	DWSS050200	2.95	ea
16		Impeller nut	1	DWIN020100	3.95	ea
17		Diffuser I B20-30 only	1	DWEJE050100	20.95	ea
17		Diffuser I B20-40 & B14-45	1	DWEJE010100	20.95	ea
18		Gasket	1	DWMSP010100	2.95	ea
19		Tension bar B14-45 only	1	DWTB020100	4.95	ea
19		Tension bar B20-30 only	1	DWTB040100	4.95	ea
19		Tension bar B20-40 only	1	DWTB030100	4.95	ea
20		Front cover	1	DWDP010100	12.95	ea
21		Washer casing	6	SZPW010100	0.95	ea
22		Nut	6	DWNUT010100	2.95	ea
23		Inner oring	1	DWOR060100	4.95	ea
24		Inner tube B14-45 only	1	DWIT010100	6.95	ea
24		Inner tube B20-30 only	1	DWIT030100	6.95	ea
24		Inner tube B20-40 only	1	DWIT040100	7.95	ea
25		Casing B14-45 only	1	DW0101501	64.95	ea
25		Casing B20-30 only	1	DW0104501	69.95	ea
25		Casing B20-40 only	1	DW0102501	71.95	ea
26		Drain plug B20-30 & B14-45	2	WBFDPO10100	3.95	ea
26		Drain plug B20-40 only	2	DWFDPO10100	3.95	ea
27		Drain plug oring B20-30 & B14-45	2	WBOR020100	0.95	ea
27		Drain plug oring B20-40 only	2	DWOR020100	0.95	ea
28		Screw - casing pkt 6 B20-30 & B14-45	1	SZSC010100*6	4.95	ea
28		Screw - casing pkt 8 B20-40 only	1	WBS020100*8	4.95	ea
29		Drain plug washer	2	WBLW010100	0.95	ea

## ITEMS NOT ILLUSTRATED

		Coupling assembly Torrium models only	1	32320-1SP	13.95	ea
		Torrium controller - 110V BT20-30 & BT14-45 only	1	T70Y/USAD	209.95	ea
		Torrium controller - 230V BT20-40 only	1	T70P/USAD	209.95	ea
		Flow switch	1	32381	190.95	ea
		Capacitor cover	1	8SW354060-061	13.95	ea
		Capacitor cover screws M4x60	4	401320	0.95	ea
		Capacitor 60Hz B20-30 & B14-45	1	400297	36.95	ea
		Capacitor 20mfd c/w loom B20-40	1	400272SP	36.95	ea
		Drive endshield	1	8SW013267	19.95	ea
		Fan cowl	1	8SW306052	13.95	ea
		Bearing Front	1	401311	10.95	ea
		Bearing Rear	1	401312	11.95	ea
		Fan	1	8SW435041	13.95	ea
		Rotor assembly B14-45	1	5SW674C44	48.95	ea
		Rotor assembly B20-30	1	5SW674C45	38.95	ea
		Rotor assembly B20-40	1	5SW674C70	48.95	ea
		Stator & shell assy B14-45 & B20-30	1	5SW670D62	100.95	ea
		Stator & shell assy B20-40	1	5SW670D69	124.95	ea

U.S. SERVICE CENTER RETAIL PRICE LIST Effective April 1st, 2009. All prices subject to change without notice. Drawings are indicative only, product appearance may change slightly. Some parts are not stocked individually and may be available only as part of a service kit or are special order items with extended lead times. To order call Toll Free 866-626-7867 or email: sales@primopumps.com